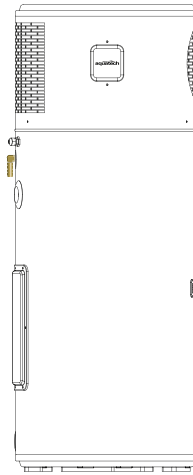


PLUMBER'S CONDENSED INSTALLATION GUIDE



RAPID UNIT

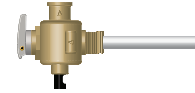
SUPPLIED CONTENTS



CONDENSATE
DRAINAGE
ELBOW (connected)



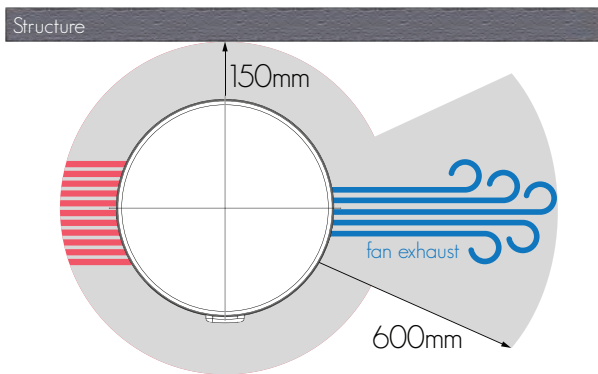
OWNER'S
MANUAL



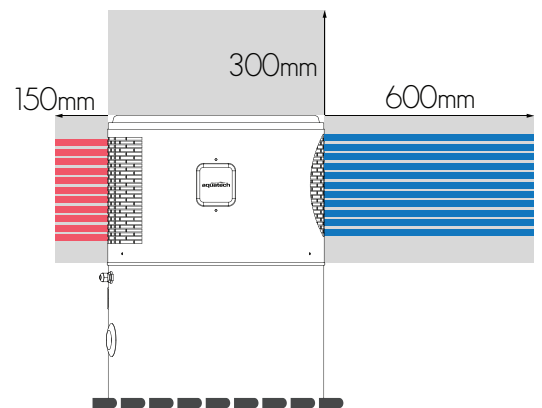
PTR

1. LOCATION SELECTION

Top profile



Side profile



- This unit is designed for external operation only and requires a continuous supply of air to operate efficiently.
- Avoid installation in areas where falling debris, such as leaves, is prevalent as this may result in air vents being blocked or the unit being damaged.
- Avoid placing the system in locations with multiple walls or structures.
- Always maintain optimum perimeter from all structures.

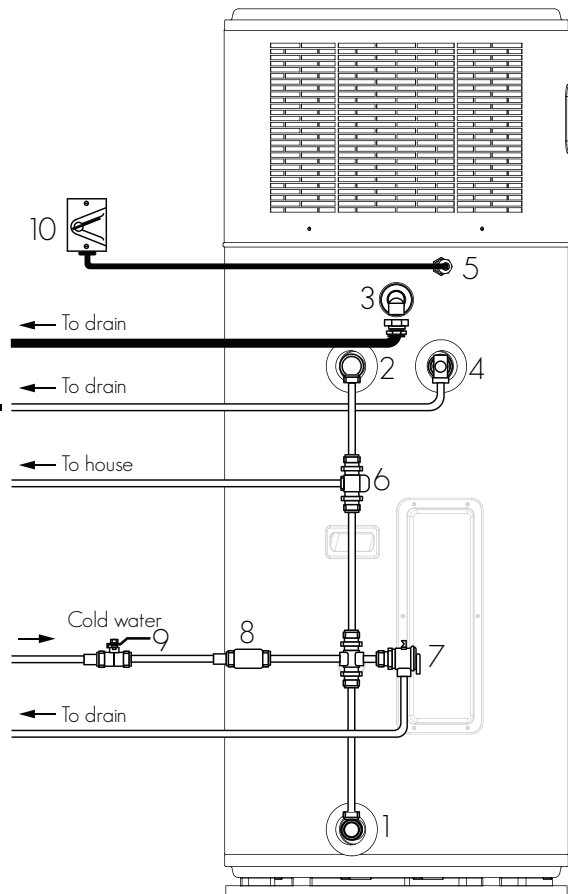
2. BASE

- The unit should be installed on a concrete plinth or stable structure capable of sustaining weights in excess of 315kg.
- A minimum dimension of 600mm x 600mm is required. Please ensure that all four feet are supported by the base being used otherwise warranties may be voided.
- Unit is to be installed level to ensure condensation drainage is not impaired.

3. PLUMBING CONNECTIONS

1. Cold Water supply outlet
(G 3/4" female thread)
2. Hot Water Outlet
(G 3/4" female thread)
3. Condensing drainage Elbow*
4. P&T Relief Valve*
(G 1/2" female) (850kPa)
5. Electrical Cable
6. Tempering Valve
(high performance recommended)
7. Expansion Control Valve (ECV)
(if required by council 700kPa)
8. Pressure Reduction Valve
(500kPa)
9. Non-return/Isolation Valve
10. Isolation Switch
(Hard wired into 10 Amp circuit)

* Supplied with system

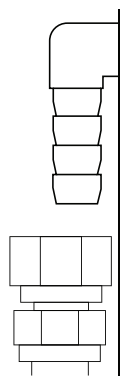



SYSTEM MUST
BE LEVEL

4. CONDESATION DRAINAGE

Condensate
drainage
elbow →

Dish →

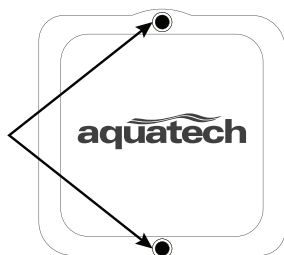


5. BLEEDING THE SYSTEM

Ensure at least one hot water tap is open inside the property. While the system begins filling with water, you will hear air being expelled from the open hot water tap. This ensures that no air pockets remain. Once water begins running out of the hot water tap, the system is completely bled and you can then turn the tap off.

6. TURNING THE UNIT ON

Hand
screws



1. Remove Stainless Steel cover by simply loosening hand screws.
2. Unlock the screen by pressing the POWER button once.
3. Press and hold the POWER button for 3 seconds until the SUN symbol flashes.
4. Return screen cover back onto unit after setting clock